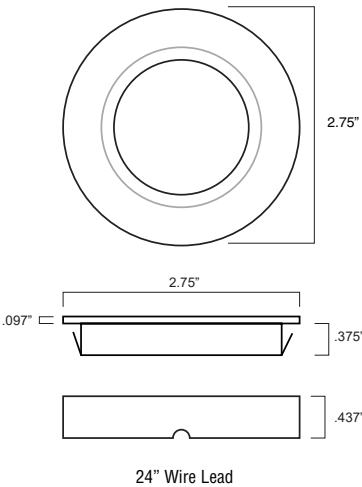


PKL-SURFACE/RECESS PUCK



PKL

Surface and Recess Puck



Application

The PKL LED puck fixture is designed for surface mounting or through hole mounting for interior or under cabinet lighting.

Surface Mounting

If surface mounting is desired, remove the outer ring and screw to a flat surface. Feed wire lead through the wire hole on the ring and push the puck into the ring.

Recess Mounting

For recess mounting, remove the outer ring from the puck. Cut a 2½ inch hole, feed the wire lead through the hole and push the puck into the hole to seat the retaining springs.

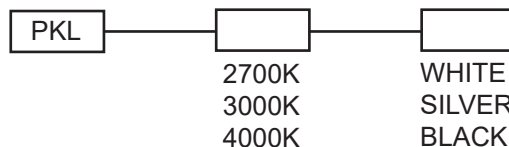
Electrical/Connectors

The PKL Puck fixtures are 15vDC regulated, and come with one 24 inch, 20 AWG, 2 conductor wire lead. The fixtures consumes 3 watts of power.

Power Supplies, Dimmers and Accessories

The PKL Puck Light is fully compatible with TLD's entire line of low voltage 15v DC power supplies, dimmers and accessories.

Body Material:	Aluminum	Color Temp:	27K, 30K, 40K
Voltage:	15v DC	CRI	90
Wattage	3w	Colors	Silver, Black, White
Lumens	230lm	IP Rating:	IP20
Dimmable	0-10v	Warranty	3 Years
Beam Angle	120°	Wire Length	24 inches
LED	Epistar		



The Lighting Division



Life In LED Light

100 Boxart Street • Suite 250 • Rochester, NY 14612
585-697-0093 • Fax: 585-663-1432

thelightingdivision.com

TLD-132-1-23