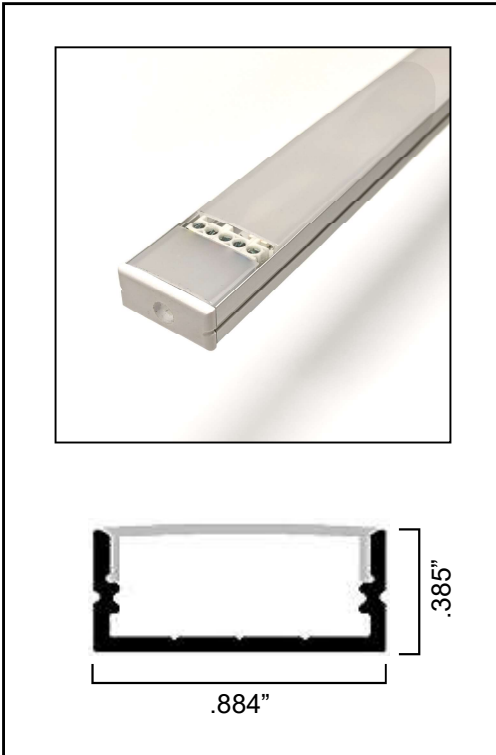


Jewel RGBW

The Jewel RGBW light gives you the best of both worlds. It provides the fun of choosing colored lighting for celebrating birthdays, holidays, or your favorite sports team, with the addition of a true white LED for task lighting.

The outdoor option offers the same advantages, but comes sealed for outdoor use and is hard wired with 5 conductor wire leads.

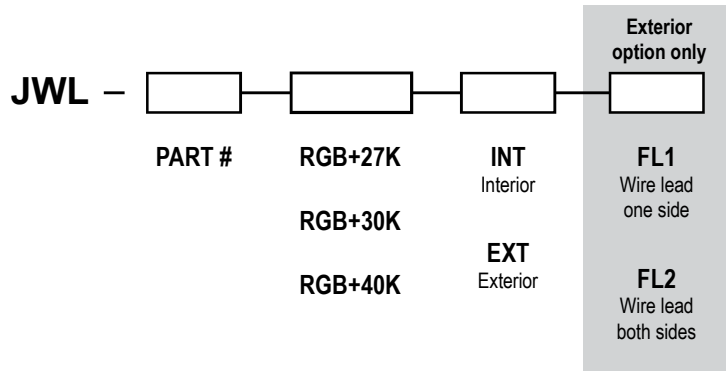
Installation is simple using the supplied metal mounting clips. Each fixture has color coded terminals to match the color coded wire.



Part #	Size	Wattage
060	6 1/8"	2.5
100	10"	5
130	13 3/4"	7.5
170	17 3/4"	10
210	21 3/4"	12
260	26"	14.5
290	29 5/8"	17
330	33 1/2"	19.5
370	37 1/2"	22
410	41 3/8"	24
450	45 3/8"	26.5
490	49 1/4"	29
530	53 1/4"	31.5
570	57 1/8"	34
610	61"	36
650	65"	38.5
680	68 7/8"	41
720	72 7/8"	43.5
760	76 3/4"	46

Working Lifetime(hour):	50000	
Body Material:	Aluminum	
Voltage:	24v DC	
IP Rating:	IP20 or IP67	
Color Temperature:	RGB + 27K, 30K or 40K	
CRI:	≥80	
Lumens/Ft	RED	36 lm/ft
	GREEN	90 lm/ft
	BLUE	33 lm/ft
	2700K	215 lm/ft
	3000K	225 lm/ft
	4000K	254 lm/ft
Length	Up to 76 3/4 inches	
Warranty	3 Years	

Maximum fixture run is 16 feet. Longer runs are accomplished by using extra components like amplifiers and power supplies.



The Lighting Division



Life In LED Light

100 Boxart Street • Suite 250 • Rochester, NY 14612
585-697-0093 • Fax: 585-663-1432

thelightingdivision.com

TLD-133-9-21

Control Options

Wireless Remote Controller

TLD-RGB-R2



TLD-MDL

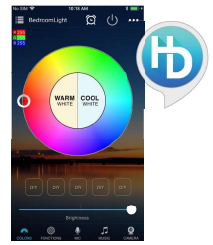


Power 2, AAA Batteries
Size 5" x 2.25" x .75"

Voltage 12-36vDC
Amps 4 x 5A
Max Wattage 480w MAX @ 24v
Size 7" x 1.75" x 1"
Signal Distance 30m, (99 feet)

Bluetooth Controller

TLD-BT-RGB



Hao Deng APP

Voltage 12-36vDC
Amps 4 x 4A
Max Wattage 96w MAX @ 24v
Size 2.75" x 1"
Signal Distance 30ft

Power Components

Plug-in Supply



TLD-40W-PLG-24
TLD-60W-PLG-24
TLD-90W-PLG-24

Damp Rated

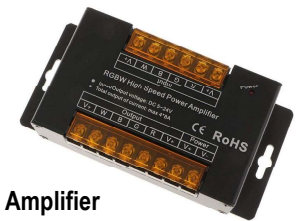


TLD-30WSO-24
TLD-90WSO-24

Waterproof



TLD-60WSO-24-WP
TLD-120WSO-24
TLD-150WSO-24
TLD-240WSO-24
TLD-320WSO-24
TLD-480WSO-24



Amplifier
TLD-AMP-4CH

24v / 576w Max
4 Channels, 6A per channel
(L) 6.75" x (W) 3" x (H) 1.375"
Warranty 2 Years

Installation:

Follow all local Electrical Codes.

Insert the appropriate color wire to the colored terminal and tighten. Fixtures may be daisy chained, home run or a combination of both.

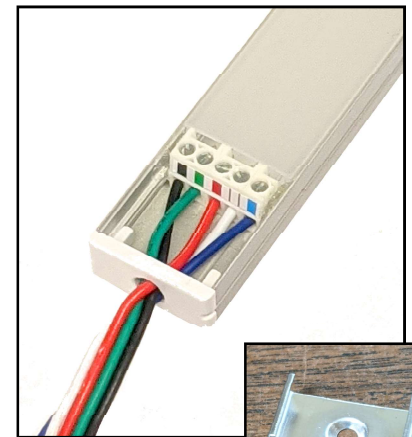
Only use 5 conductor 18 or 20 AWG wire.

Recommended maximum daisy chained fixture run length is 16ft. Longer runs would require power amplification. Contact us for specific wiring configurations.

TLD-RGBWS-20/5-xx
5 Conductor Ribbon Wire, 20AWG



For outdoor installations all fixtures are hardwired on one side or both sides.



Mounting Clip

The Lighting Division



Life In LED Light

100 Boxart Street • Suite 250 • Rochester, NY 14612
585-697-0093 • Fax: 585-663-1432
thelightingdivision.com