

TLD-DMU-010 WITH A 0-10V WALL CONTROL SWITCH BOX AND MULTIPLE POWER SUPPLIES

When connecting any electrical component please take note of the polarity. Wiring incorrectly may cause component failure. Mounting the components can be accomplished with a suitable double sided tape, or by mechanical fasteners.

Wire Preparation

- Use appropriate AC wire gauge and type based on local codes from 0-10v wall control switch box to power supply junction box.
- Strip 3/16 of insulation from the wire ends for optimal performance. Exposing an excessive amount wire may cause shorts.

Power Supply / 0-10v Wall Switch Box Wiring

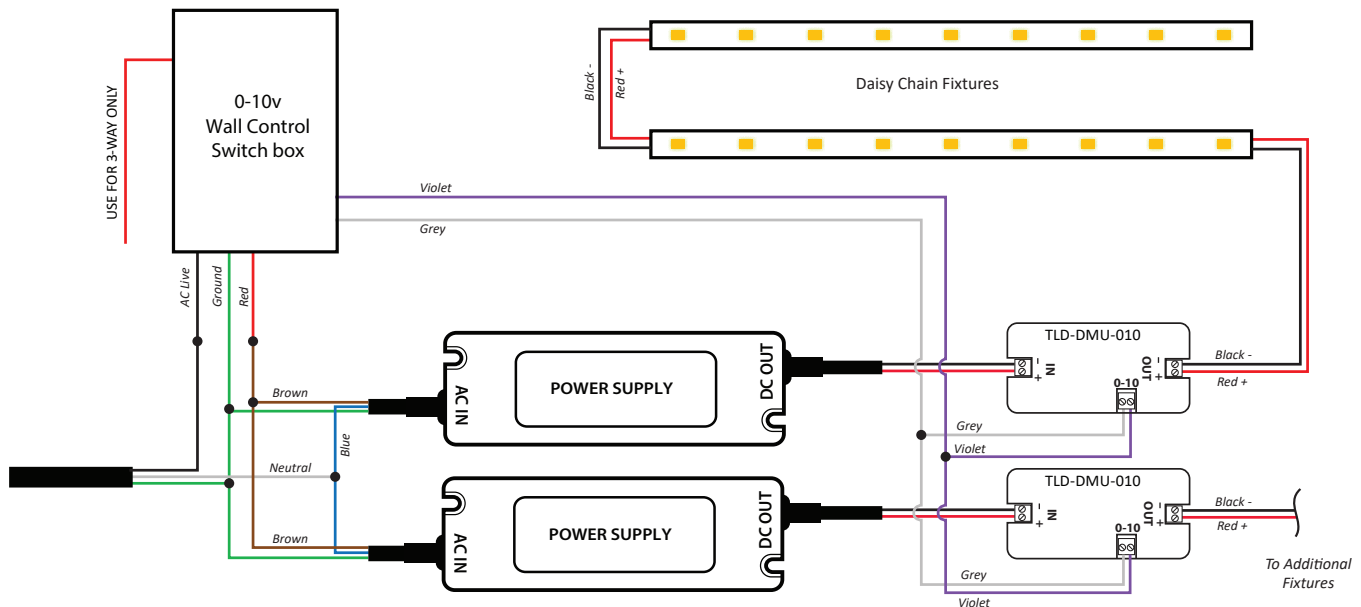
- Connect the "Black +" (AC LIVE) wire from AC power source to the BLACK+ wire of the 0-10v wall switch box.
- Connect GROUND (GREEN) wire from AC power source to GROUND (GREEN) wire from the 0-10v wall switch box and GROUND (GREEN) from "AC IN" side of DC power supplies.
- Connect "AC LIVE" (RED+) from 0-10v Wall Control Switch Box to "AC IN" (BROWN+) of the power supplies.
- Connect the "NEUTRAL" (WHITE -) from AC power source to the "AC IN" (BLUE -) wires of the power supplies.

TLD-DMU-010 Wiring

- Connect the "RED+" wire from the DC OUT side of the power supplies to the positive side of the TLD-DMU-010 "+ IN" marked in RED.
- Connect the "BLACK -" wire from the DC OUT side of the power supplies to the negative side of the TLD-DMU-010 "- IN".
- Connect the "PURPLE" wire from the 0-10 wall switch box to the 0-10 terminal marked in purple on the two TLD-DMU-010.
- Connect the "GREY" wire from the 0-10 wall switch box to the 0-10 terminal (not marked in PURPLE) on the two TLD-DMU-010.

Fixture Wiring

- Connect a RED wire from the TLD-DMU-010 "+ OUT" positive terminal (marked in RED) to the positive terminal (marked in RED) of the fixture.
- Connect a BLACK wire from the TLD-DMU-010 "- OUT" negative terminal (NOT marked in RED) to the negative terminal (NOT marked in RED) of the fixture.



The Lighting Division



Life In LED Light

100 Boxart Street, Suite 230
Rochester, NY 14612
585-697-0093
Fax: 585-663-1432
www.thelightingdivision.com



TLD-404-6-17