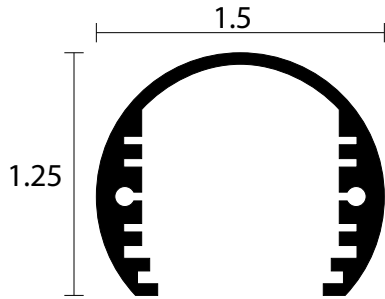




LED SIGN AND WALL WASH LIGHTING



Actual Size
 Fixture Rotates 360 Degrees
 Set Screw Locks in Place
 1.5" Diameter Extruded Aluminum



Centra and CentraXL fixtures come with a 6 year limited warranty.

CSL

Centra Standard, 6 Watts per ft.
 15V DC

| Model | Length | Load (Watts) | Source Lumens |
|-------|--------|--------------|---------------|
| CSL-1 | 12" | 6 | 320 |
| CSL-2 | 24" | 12 | 640 |
| CSL-3 | 36" | 18 | 960 |
| CSL-4 | 48" | 24 | 1280 |
| CSL-5 | 60" | 30 | 1600 |
| CSL-6 | 72" | 36 | 1920 |
| CSL-7 | 84" | 42 | 2240 |
| CSL-8 | 96" | 48 | 2560 |

Standard wire length is 4 feet.

CSXL

Centra XL, 9 Watts per ft.
 24V DC

| Model | Length | Load (Watts) | Source Lumens |
|--------|--------|--------------|---------------|
| CSXL-1 | 12" | 9 | 660 |
| CSXL-2 | 24" | 18 | 1320 |
| CSXL-3 | 36" | 27 | 1980 |
| CSXL-4 | 48" | 36 | 2640 |
| CSXL-5 | 60" | 45 | 3300 |
| CSXL-6 | 72" | 54 | 3960 |
| CSXL-7 | 84" | 63 | 4620 |
| CSXL-8 | 96" | 72 | 5280 |

Standard wire length is 4 feet.

Maximum fixture run length (with a capable power supply) **CSL-12ft, CSXL-12ft**

| Model | Length/ft | Light Color | Lens Cover | Type | Mounting Type | Optics (CSXL Models Only) |
|--|-----------------------|-------------------------------------|-------------------------------|--|---|--|
| CSL Centra Standard 15V DC | 1 2 3 4 5 | 30 3000K Warm White | C Clear | INT Interior Dry location | HM Hollaender Mount Wire Exit at End | NO No optic |
| CSXL Centra XL 24V DC | 6 7 8 | 35 3500K Neutral White | DIFW White Diffuser | EXT Exterior Damp location | FM Flush Mount Wire Exit at Rear SM Suspended Mount Wire Exit at Rear | RS 16 Degree Spot M 26 Degree Medium W 42 Degree Wide O 20 x 48 Degree Wall Wash |

Fixture Color:
Standard - Silver Metallic Powder Coat
 Additional Colors available by special order, premium charge.

The Lighting Division



100 Boxart Street • Suite 230 • Rochester, NY 14612

585-697-0093 • Fax: 585-663-1432

thelightingdivision.com



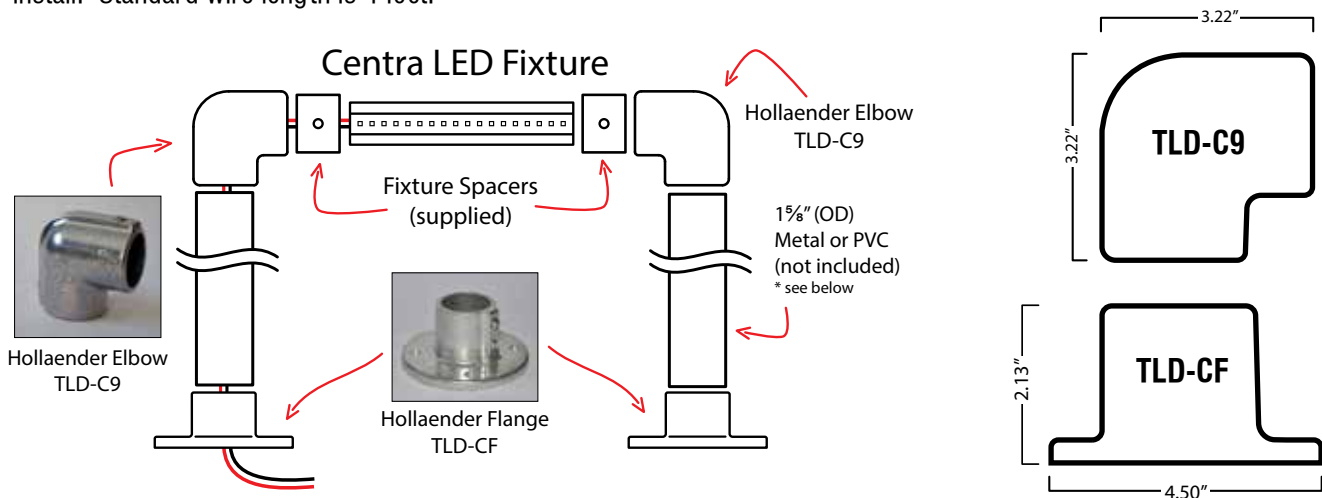
Made in USA
 of U.S. and
 imported parts

TLD-107-3-16

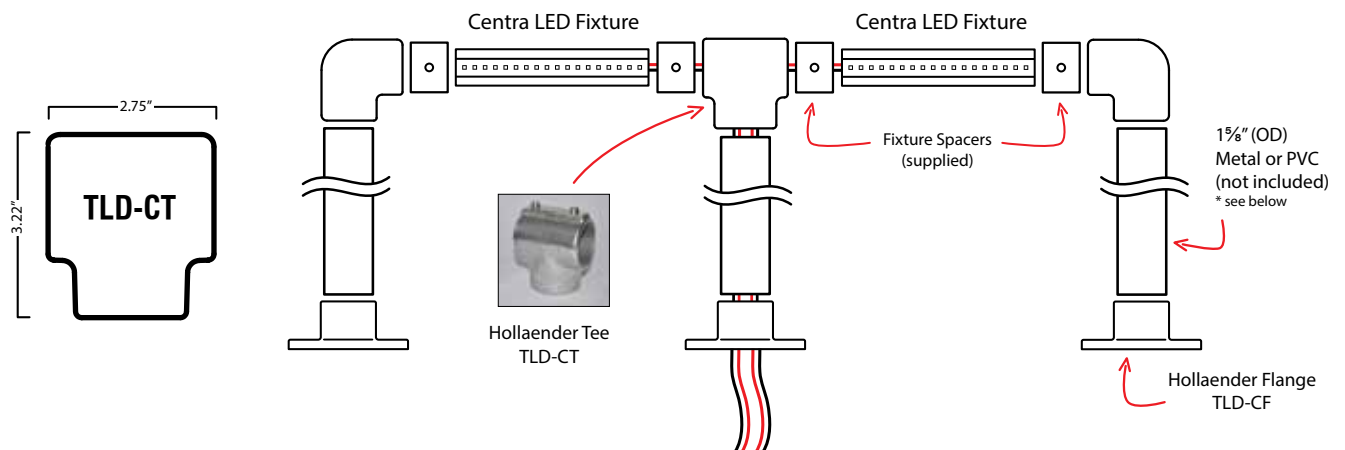
MOUNTING OPTIONS FOR CENTRA FIXTURES

Hollaender Mount (HM)

Typical Assembly for a wall or free standing sign mount. Use standard 1 5/8" (OD) tubing of metal or PVC (not included) and cut to desired distance from mounting surface. Wires exit at the end of fixture and fish through pipe for a clean looking install. Standard wire length is 4 feet.



Multiple Fixture Assembly



TLD-CF
Hollaender Flange fitting



TLD-CT
Hollaender Tee Fitting



TLD-C9
Hollaender Elbow Fitting

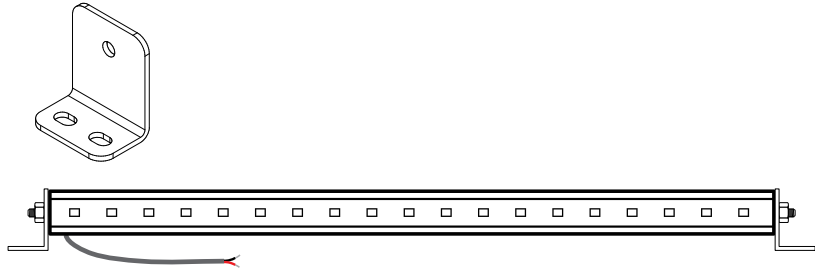


Grid Ceiling Hanger
TLD-GCH

Clips onto drop ceiling grid

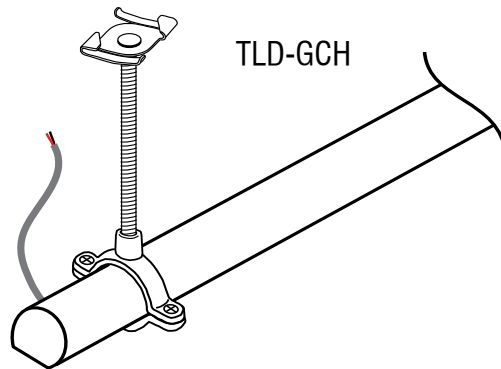
Flush Mount (FM)

- Mounting brackets and nuts provided
- Fixture rotates for easy adjustment
- Wire exits rear of fixture.



Suspended Mount (SM)

- Ceiling Hanging Option
- Threaded rod and pipe clamp sold separately
- Wire exits rear of fixture



Fixture Run Configuration

